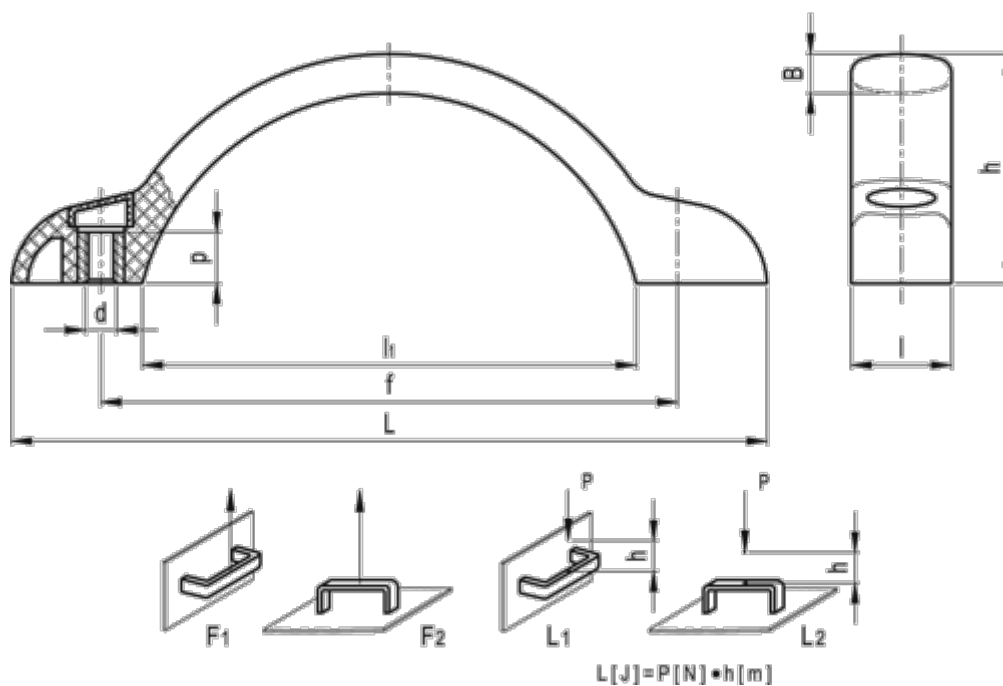


Article number: 23020374663
 Description: E+G U-handle
 M.479/150 B-M8-C3, Grey

Measures



B	= 9	l1	= 113
d	= M8	L1 (J)	= 15
f	= 132 +/-0,5	L2 (J)	= 7
F1 (N)	= 2100	p	= 12
F2 (N)	= 2600	Weight (g)	= 57
h	= 52.5		
l	= 23		
L	= 173		